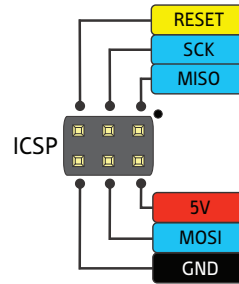


THE UNOFFICIAL  
**ARDUINO NANO**  
PINOUT DIAGRAM

**Absolute** max per pin 40mA  
reccomended 20mA

**Absolute** max 200mA  
for entire package



**LEGEND**

- GND
- POWER
- CONTROL
- PHYSICAL PIN
- PORT PIN
- ATMEGA328 PIN FUNC
- DIGITAL PIN
- ANALOG-RELATED PIN
- PWM PIN
- SERIAL PIN

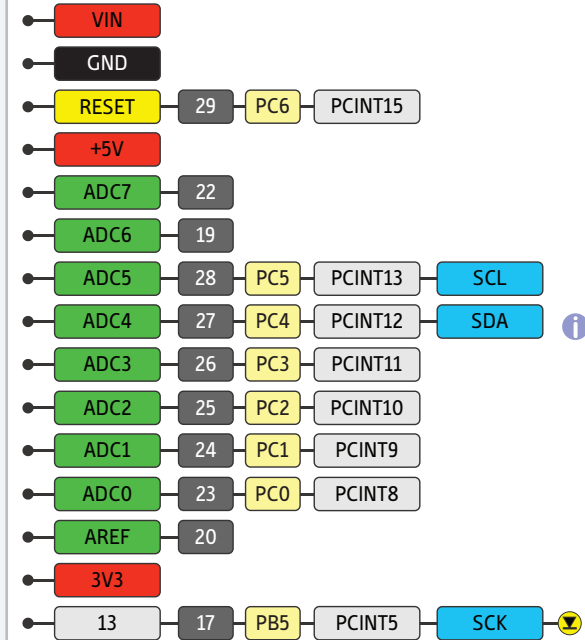
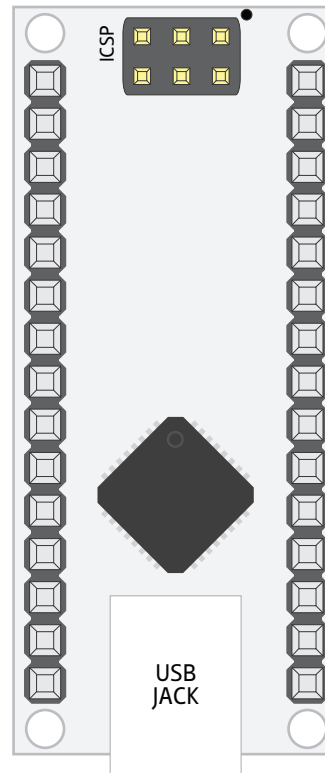
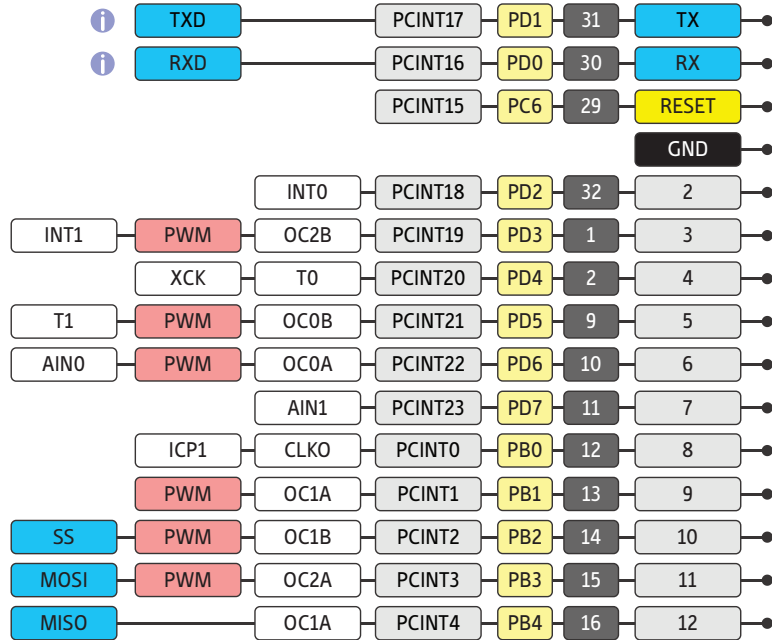
General Information

Pay Attention

No Really **PAY ATTENTION**

LED

Connected to the ATmega and used for USB program and communicating with it



On version 2 Analog Pins are reversed  
e.g. A0 → A7, A7 → A0



www.pighixx.com



07 FEB 2013