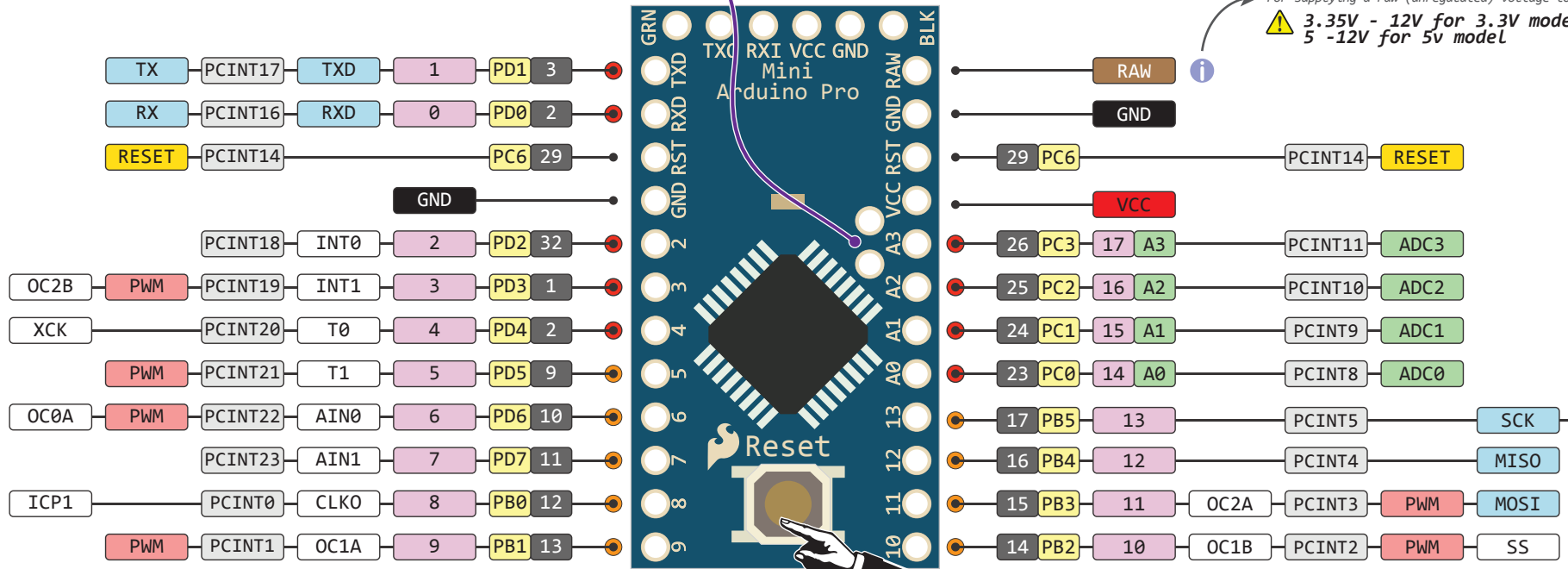
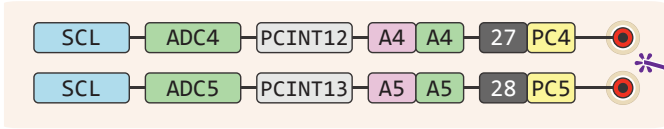
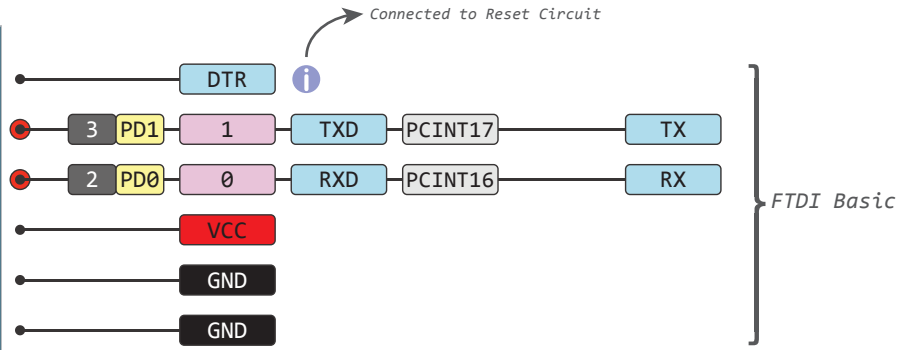


THE UNOFFICIAL 3.35 -12 V (3.3V model) or 5 - 12 V (5V model)

ARDUINO ProMini PINOUT DIAGRAM



- GND
- Power
- Control
- Physical Pin
- Port Pin
- Pin Function
- Digital Pin
- Analog Related Pin
- PWM Pin
- Serial Pin
- IDE
- Source Total 150mA

⚠️ Absolute max per pin 40mA
 recommended 20mA

⛔ Absolute max 200mA
 for entire package